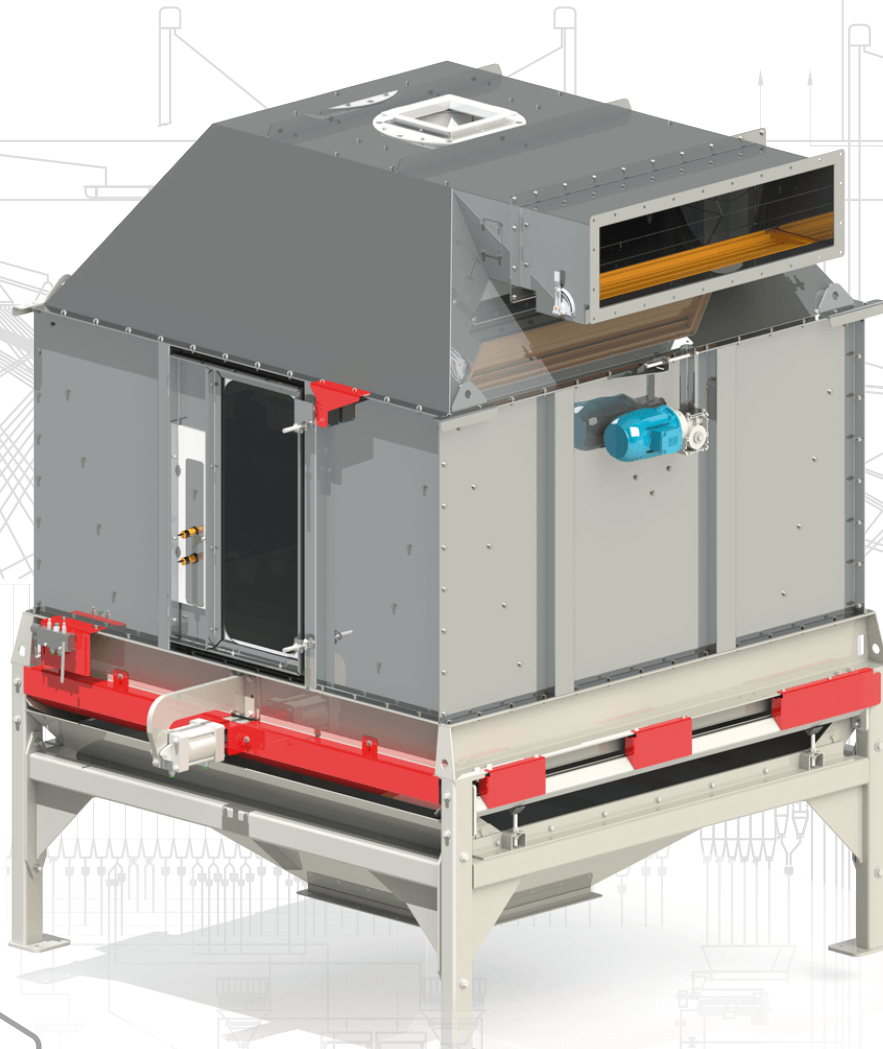




COUNTERFLOW COOLER



LMM
LAW-MAROT-MILPRO



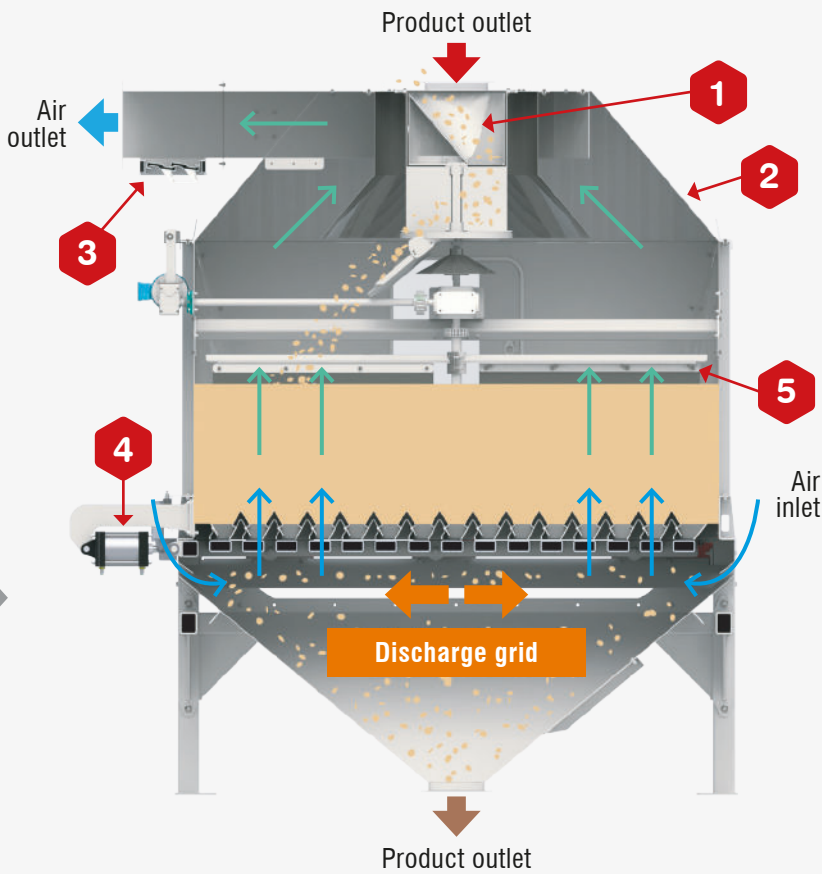
COUNTERFLOW COOLER



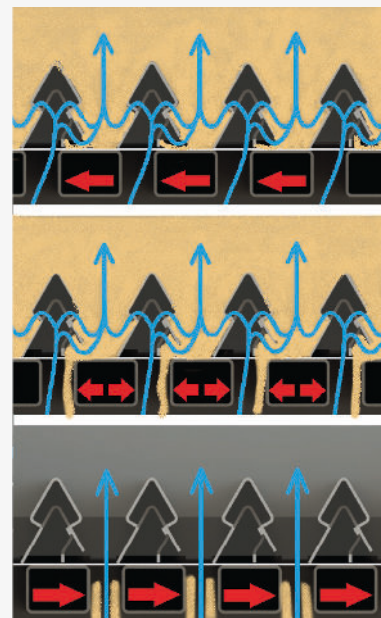
MILPRO COUNTERFLOW COOLERS have an undeniable competitive advantage due to our unique design features. The internal rotary airlock allows for a more compact unit while the combination of the extractor design and air suction duct allows for an even distribution of cooling air without lifting product. Heavy-duty, trouble-free and affordable, MILPRO coolers provide a superior quality product and an excellent return on investment.

OVERVIEW

FEATURES



Extraction Operation



Other features :

- Capacity up to 50 mT/hr
- Heavy-duty design and construction
- 24/7 product cooling
- Explosion proof components for hazardous situations

- 1** Integrated internal rotary airlock reduces the overall height
- 2** Stainless steel hood provides improved durability and higher equipment quality
- 3** Air damper provides the ability to easily adjust the desired final moisture and temperature

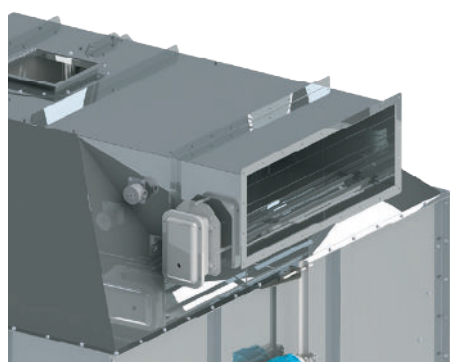
- 4** Discharge grid activated by a pneumatic cylinder that provides a reliable low-cost solution and an easy calibration of discharge cycles
- 5** Optional product leveller

Air demand (CFM) *

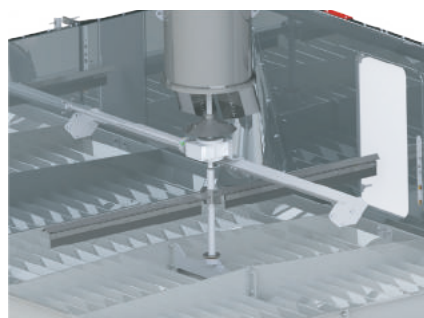
| MODEL | Max. capacity (mT/hr) | Cooling area (ft ²) | Feed pellets | Wood pellets | Wood pellets (high humidity) ** | Dimensions (in.) ** | Weight (lbs) |
|---------|-----------------------|---------------------------------|--------------|--------------|---------------------------------|---------------------|--------------|
| VC-35P | 2 | 8,5 | 1 400 | 2 000 | 2 300 | 42 x 42 x 89 h. | 1 400 |
| VC-43P | 4 | 15 | 2 100 | 3 000 | 3 600 | 56 x 54 x 96 h. | 2 500 |
| VC-59P | 7 | 24 | 3 500 | 4 600 | 6 000 | 68 x 66 x 105 h. | 3 900 |
| VC-71P | 10 | 35 | 5 600 | 8 000 | 9 600 | 80 x 78 x 114 h. | 4 500 |
| VC-83P | 13 | 48 | 7 000 | 9 500 | 11 500 | 90 x 92 x 126 h. | 6 200 |
| VC-95P | 18 | 63 | 10 500 | 14 000 | 17 000 | 104 x 102 x 130 h. | 7 100 |
| VC-107P | 22 | 80 | 14 000 | 19 500 | 23 600 | 116 x 114 x 140 h. | 9 200 |
| VC-119P | 30 | 98 | 17 500 | 23 600 | 30 000 | 128 x 126 x 142 h. | 9 900 |
| VC-131P | 36 | 119 | 21 000 | 30 000 | 36 000 | 142 x 140 x 171 h. | 13 000 |
| VC-143P | 50 | 142 | 30 800 | 40 500 | 48 500 | 154 x 152 x 174 h. | 14 400 |

* Based on a high humidity location or altitude

** Dimensions and weights are indicative and subject to change



Electric air damper for automatic air flow control based on the product to be cooler or ambient temperature. Temperature sensor also available for fire detection.



Product leveller for an optimal uniform cooling

Double-deck coolers reduces your down time between two different runs.



Other options:

- Door safety interlock switch for improved operator/maintenance safety
- TILT gate model designed for meal, mash, extruded oil cake & non-free flowing products
- Hydraulic cylinder & units for low temperature applications or where pneumatic air is not accessible
- Explosion vents for wood applications
- Electrical positionner for product leveller
- Output hopper to fit directly on a MILPRO crumbler, square or custom to fit
- Support structure
- Related equipments: cyclones, airlocks, fans, ducts and conveyors



Law DRYERS

LAW Grain Dryers

- LAW grain dryers are available in sizes up to 500 tons per hour
- Ultra-low greenhouse gas emissions
- Safe and low operating cost
- High efficiency design
- Air recycling
- Totally enclosed design
- Low noise level
- Mixed-flow column
- Meets OSHA & confined space requirements



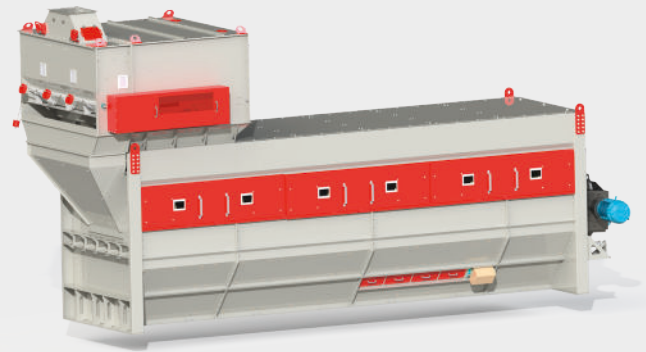
Marot CLEANERS

MAROT Rotary Cleaners

- Vibration free
- Low maintenance
- Heavy-duty construction
- Variable pitch and speed
- Up to 500 t/h

Flat Screeners

- Lowest dynamic load in the industry
- Suspended carbon fiber rod design
- Low maintenance & operating cost
- Dual aspiration available
- Capacity up to 400 t/h
- Circular screening movement



Milpro PROCESS EQUIPMENT

Counterflow Cooler



Crumbler



Aspirator



Roller mill



Feed dresser



Single shaft mixer



Cyclone



Double shaft mixer

OTHER EQUIPMENT

- Distributors
- Bucket elevators
- Flat bottom drag conveyors
- Round bottom drag conveyors
- High Flight Flat bottom drag conveyors
- Screw conveyors
- Belt conveyors
- Vertical Hammer Mills
- Vertical mixers
- Mobile probe supports
- Hoppers
- Scale Hoppers



Immequip.com